

# ENGINEER TO ORDER

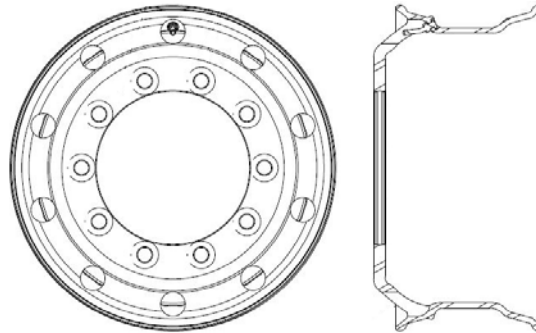
SPECIAL PROJECT INFORMATION SHEET



|                     |   |                |       |
|---------------------|---|----------------|-------|
| Project Description | Curved sliding reaction for commercial vehicle wheel nuts |                |       |
| Date created        | 7 August 2015   | Project Number | Q3517 |

## INTRODUCTION & APPLICATION

Commercial vehicle wheel nut torque tightening, where standard TrukTorque nose extension is not required, and higher maximum torque of 1,350 N.m is necessary. Wheel size 22.5 x 9.0J, nut M22.



## SOLUTION

Heavy duty TrukTorque style flat reaction, without nose extension, that fits directly onto a PTM-72.



## TECHNICAL SPECIFICATION / DATA HIGHLIGHTS

Fits PTM-72 for use up to 1,350 N.m max.  
Slave socket with 38mm bore & sliding travel as standard TrukTorque.